

COMPLIANCE SUMMARY REPORT / PRODUCT SPECIFICATIONS

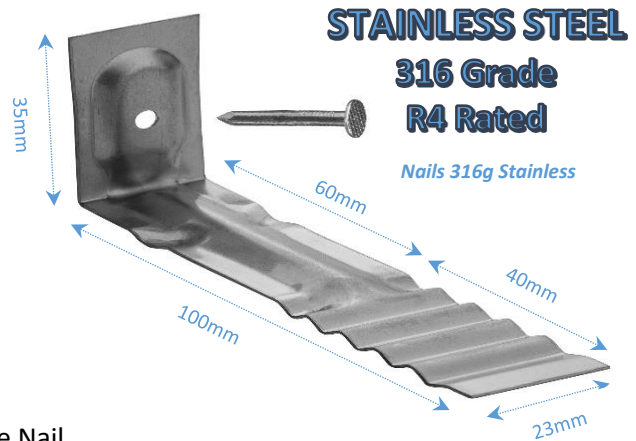
**CARLRAY STUBBY TIES FACE-FIXED LIGHT DUTY 316 GRADE SS R4 RATED
COMPLY TO AS 2699.1:2019 & AS 3700:2018**

Manufactured By

Carlray Pty Ltd
448 The Boulevard
Kirrawee N.S.W. 2232

Product: Code 84084

Type: A
Category of Tie: Veneer - Face Fixed
Classification: Light Duty
Rated Cavity Width: 50mm
Durability Category: R4 Severe Marine
Fastening Requirements: 3.15 SS 316 Grade Nail
Product Dimensions: 100mm x 23mm x .75mm



Test Results: Masonry Research Centre Deakin University - Specimens 10

Duty Classification	Mean Strength Kn	
	Tension	Compression
Light Duty	0.46	0.74

Durability Class	Colour Code	Material
R4	BLUE	316 Grade Stainless

Water Transfer Test	Vertical Offset = 0	Vertical Offset = 20mm
Up Position	Pass	Pass

Note: Ties must be installed in the up position, as per image.

Corrosion Zones for Masonry Strip Steel Veneer Ties - Material 316 Grade SS		
Durability Class	Surf Coast	Sheltered Coast
R4	0m to 1km	0m to 100m

Note: The closer the construction is located to the sea the higher corrosive environment.

Installation and Spacings Requirements For Masonry Veneer Ties		
450 Stud Walls	600 Stud Walls	Around Openings & Edges
600mm x 450mm	600mm x 600mm	300mm x 300mm

Note: Suitable for timber & steel frames. The correct mortar mix is important to effectivity of strength in masonry construction.

Assessment / Overview

These ties comply, having been independently tested by Deakin University Masonry Research Centre. Test reports and Material Certificate of Analysis reports are available on request.